

APPLICATIONS

- Maritime Reconnaissance, Surveillance & Target Acquisition (RSTA)
- Search & Rescue
- Coastal & Harbor Patrol
- Force Protection/Counter Terrorism
- Drug Interdiction
- Customs Inspections
- Mine Detection
- Anti-Surface Warfare (ASUW)
- Anti-Submarine Warfare (ASW)
- Navigation & Situational Awareness
- Collision Avoidance
- Environmental Monitoring
- Vessel Traffic Monitoring

LONG-RANGE TWO-SENSOR IMAGER

The fully marinized, gyrostabilized SeaFLIR II thermal imaging system maximizes both shipboard and airborne operations. SeaFLIR II is compact, extremely rugged, and delivers crisp long-range infrared (IR) imagery in a variety of harsh environments.

INCREASED VERSATILITY

SeaFLIR II's adjustable gimbal orientation (ball up/ball down) permits quick cross-decking or roll-on/roll-off applications between diverse sea, air and land platforms.

Operator-selectable functions include a unified IR and CCD zoom capability, IR cooler-off mode, and the choice of automatic or manual gyro null. An optional laser pointer emits a beam visible with night-vision goggles. For long-range requirements, SeaFLIR II-C offers an operator-selectable IR 1.8x optical extender.

ENHANCED OPERABILITY

Ease operator workload with SeaFLIR II's ergonomic hand controller, pull-down menus, on-screen symbology, and multi-mode autotracking with autoscans. An on-screen GPS display provides continuous updates for navigation and situational reference. The Radar Bearing Handoff mode enables a seamless sharing of tracking information between an installed search radar and SeaFLIR II's embedded video autotracker.

ULTRA COMPACT AND LIGHTWEIGHT

With a gimbal weight of 29 lbs (13.1 kg) and a diameter of just 9 in. (22.9 cm), SeaFLIR II reduces structural loading, improves platform stability and simplifies maintenance operations.

GREATER STANDOFF RANGE

SeaFLIR II delivers clear day/night imagery at multi-kilometer ranges, through a variety of obscurants and in total darkness. The system features FLIR's 3-5 μm InSb focal plane array and a 10:1 continuous zoom optic with an optional 1.8x extender.

BUILT FOR MARITIME EXTREMES

Offering coverage to the horizon, SeaFLIR survives Sea-State 5 conditions and 15-G shocks. Qualified to MIL-STD-810F, the system withstands maritime extremes with saltwater-tight seals, MIL STD cable connectors, special corrosion-proof coatings and an internal heating unit.

EXTENSIVELY FIELDED

SeaFLIRs are in use with the US Navy, Coast Guard, and Military Sealift Command as well as several European governments. SeaFLIRs are also in operation in Asia, South America and the Middle East. Over 100 SeaFLIRs and its military variants (AN/KAX-1 and AN/KAX-2) are currently deployed and operational.



SYSTEM SPECIFICATIONS

SGA Size	9.0" dia. x 14.5" h (22.9 x 36.8 cm)
SGA Weight	29 lbs (13.1 kg)
Azimuth/Elevation	360° continuous
Slew Rate	Variable to 65°/sec
Control	HCU, serial RS-232/422 digital
Environmental	MIL-STD-810F & RTCA/DO 160D (EMI)
Max Air Speed	217 knots
Maritime Considerations	Sealed housing, HCU and ECU, heated SGA
Electrical Power	Input voltage: 18 Vdc to 32 Vdc

THERMAL IMAGER

Sensor	320 x 240 InSb FPA 3.4-5.1 μm	
Video Format	NTSC, PAL or RGB	
Lens System	IR continuous zoom	
Lens Front Coating	Hard carbon A/R coating	
Resolution	1.2 to 0.12 mRad (0.067 mRad for 1.8x)	
Fields of View (H x V)	SeaFLIR II	SeaFLIR II-C
		(w/1.8 extender)
	Wide:	21.2° x 16°
	Narrow:	2.12° x 1.6°
Focal Length	f/4, 25 mm to 250 mm	f/7.6, 45 mm to 450 mm

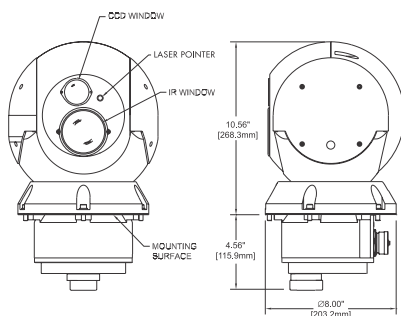
DAYLIGHT IMAGER (SEAFLIR II & SEAFLIR II-C)

Zoom CCD Camera	Sony 480P (PAL); EXB-480 (NTSC)	
Imager	Super HAD CCD - 0.25" format	
Video Format	752 x 582 (PAL); 768 x 494 (NTSC)	
Resolution	>470 television lines	
Optical Zoom	18x (digital zoom: 4x)	
Sensitivity	3.0 lux @ f/1.4	
Low-Light Mode	0.02 lux @ f/1.4	
Fields of View	Wide:	48° x 32°
	Narrow:	2.7° x 2.2°
	Narrow (w/E-Zoom 72x):	0.67° x 0.55°

OPTIONAL CONFIGURATIONS

LASER POINTER

Laser Type & Class	LED, Class IIIb
Wavelength	830 nm
Note: Laser pointer is visible with image-intensified night-vision systems	



Equipment described herein may require US Government authorization for export purposes. Diversion contrary to US law is prohibited. These specifications, which describe a Commercially Developed Military-Qualified (CDMQ) product, are subject to change without notice. ©2003 FLIR Systems, Inc. Check website. 21403

CORPORATE HEADQUARTERS

FLIR Systems, Inc.
16505 SW 72nd Ave.
Portland, OR 97224
USA
PH: +1 503.684.3731
PH: +1 800.322.3731
FX: +1 503.684.3207

BOSTON

FLIR Systems Boston, Inc.
16 Esquire Road
North Billerica, MA 01862
USA
PH: +1 978.901.8000
PH: +1 800.GO.INFRA
FX: +1 978.901.8885

EUROPE

FLIR Systems Ltd.
2 Kings Hill Avenue
West Malling, Kent
ME19 4AQ
United Kingdom
PH: +44.1732.220011
FX: +44.1732.220014

CANADA

FLIR Systems Ltd.
5230 South Service Road
Suite 125
Burlington, ON L7L 5K2
Canada
PH: +1 905.637.5696
PH: +1 800.613.0507
FX: +1 905.639.5488

SWEDEN

FLIR Systems AB
Rinkebyvagen 19
P.O. Box 3
SE-182 11 Danderyd
Sweden
PH: +46.8.753.2500
FX: +46.8.753.2364

MIDDLE EAST

FLIR Systems Inc.
c/o Middle East Optronics
FZCO Unit C-13,
Dubai Airport Free Zone
P.O. Box 54262
Dubai
United Arab Emirates
PH: +971.4.2996898
FX: +971.4.2996895