

APPLICATIONS

- Perimeter Security
- Coastal Surveillance
- Border Patrol
- Government Facilities Security
- Force Protection
- Training Range
- Customs Inspection
- Vessel Traffic Monitoring System

24-HOUR PERIMETER SURVEILLANCE CAMERA SYSTEM

Reliable, continuous day/night surveillance is assured with ThermoVision Sentry, a mobile or fixed-installation thermal camera that sets new standards in compactness, ruggedness, and low power consumption. Incorporating FLIR's next-generation uncooled detector technology, ThermoVision Sentry takes perimeter/border surveillance and force protection to the next level.

COMMERCIALLY DEVELOPED, MILITARY QUALIFIED

Developed under the U.S. Air Force TASS (Tactical Automated Security System) program, ThermoVision Sentry has earned its stripes in punishing installations the world over. Military-qualified COTS/NDI, the system is highly ruggedized, and sealed against rain, sand, dust, and corrosion.

REDEFINES SYSTEM PERFORMANCE

ThermoVision Sentry delivers superior reliability, lower power consumption, lower life cycle costs, faster start-up, and greater affordability. But these are only a few of the advantages ThermoVision's 320 x 240 uncooled microbolometer focal plane array provide over conventional cryogenically cooled infrared cameras.

FLEXIBLE DEPLOYMENT OPTIONS

A single operator can transport, fully assemble, and operate ThermoVision Sentry in the field, or the unit can be permanently installed in a fixed location.

POWERFUL ON-BOARD PROCESSING

Dual fields of view provide both situational awareness and close-up imaging on demand. Electronic zoom, freeze frame, and automatic gain/level control enhance target recognition capability. An integrated pan-and-tilt drive provides fast, continuous 360 degree slewing. Autoscan sequentially scans between multiple preset positions at user-definable scan rates and dwell times for hands-free monitoring. Histogram equalization ensures optimal image quality and selectable color palettes enhance target discrimination.

PAYLOAD READY

Optional payloads include a color CCD-TV monitor camera and a networking capability.

STOWED POSITION PROTECTS OPTICS

The system features a stowed position capability that protects optics, while still allowing for rapid start-up.



SYSTEM SPECIFICATIONS

Video Format	NTSC (RS-170) or PAL (CCIR)
Serial Interface	RS-485
Power	18-32 V DC
Power Consumption	35 W (average)
Built-In-Test (BIT)	Self-diagnostics
Weight	38 lbs.
Dimensions	15 x 11 x 9 in.
Operating Temperature Range	-25.6°F to 122°F (-32°C to +50°C)

THERMAL IMAGER

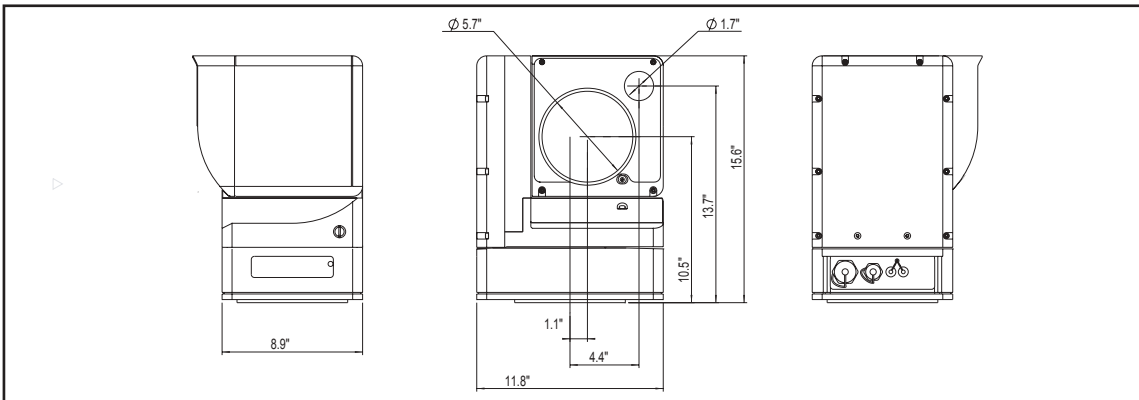
Detector	Uncooled microbolometer, 320 x 240
Waveband	7.5-13 microns
Wide FOV	24° x 18°
Narrow FOV	6° x 4.5°
FOV Switch Time	<.8 seconds
Electronic Zoom	Continuous 1X to 4X
Digital Image Resolution	14 bit
Gain/Level Adjustment	Auto or manual
Image Processing	Histogram equalization
Palettes	Black/white, rainbow, iron

PAN/TILT SPECIFICATIONS

Azimuth Control	Continuous 360°
Elevation Control	-35° to +60°(higher elevations available)
Slew Rate	0°-120°/second azimuth 0°-60°/second elevation
Pointing Accuracy	±3.0 mrad with ±0.1 mrad repeatability
Autoscan	Multiple positions, fully programmable
Park Position	Lockable position protects optics

VISUAL CAMERA

Type	1/4" color CCD
Resolution	460 television lines NTSC, 470 television lines PAL
Wide FOV	48°
Narrow FOV	2.7°



Equipment described herein may require US Government authorization for export purposes. Diversion contrary to US law is prohibited.

©2002 FLIR Systems, Inc. Specifications are subject to change. Check website. 0613

CORPORATE HEADQUARTERS

FLIR Systems, Inc.
16505 SW 72nd Ave.
Portland, OR 97224
USA
PH: +1 503.684.3731
PH: +1 800.322.3731
FX: +1 503.684.3207

BOSTON

FLIR Systems Boston, Inc.
16 Esquire Road
North Billerica, MA 01862
USA
PH: +1 978.901.8000
PH: +1 800.GO.INFRA
FX: +1 978.901.8885

EUROPE

FLIR Systems Ltd.
2 Kings Hill Avenue
West Malling, Kent
ME19 4AQ
United Kingdom
PH: +44.1732.220011
FX: +44.1732.220014

CANADA

FLIR Systems Ltd.
5230 South Service Road
Suite 125
Burlington, ON L7L 5K2
Canada
PH: +1 905.637.5696
PH: +1 800.613.0507
FX: +1 905.639.5488

SWEDEN

FLIR Systems AB
Rinkebyvagen 19
P.O. Box 3
SE-182 11 Danderyd
Sweden
PH: +46.8.753.2500
FX: +46.8.753.2364

MIDDLE EAST

FLIR Systems Inc.
Middle East Office
UB Building
Suite 108
P.O. Box 35021
Dubai
United Arab Emirates
PH: +971.4.2822339
FX: +971.4.2822527